



# HUMIDITY

## ROOM, DUCT, AND OSA 3% HUMIDITY TRANSMITTERS KH3 SERIES

### DESCRIPTION

The Kele Model KHR, KHD, and KHO humidity transmitters are specifically designed for use in HVAC/BAS applications. These instruments measure relative humidity from 0% to 100%. The standard two-wire, 4-20 mA output provides low cost humidity monitoring for building control. The RH transmitter is available with thermistor or RTD temperature sensors or a 4-20 mA rangeable temperature transmitter. They are available in room, duct, and OSA mounting styles.

### FEATURES

- 0% to 100% RH measurement
- 3% accuracy (5% to 90% RH)
- Attractive room enclosure design
- Two-wire, 4-20 mA output



KHR



KHO



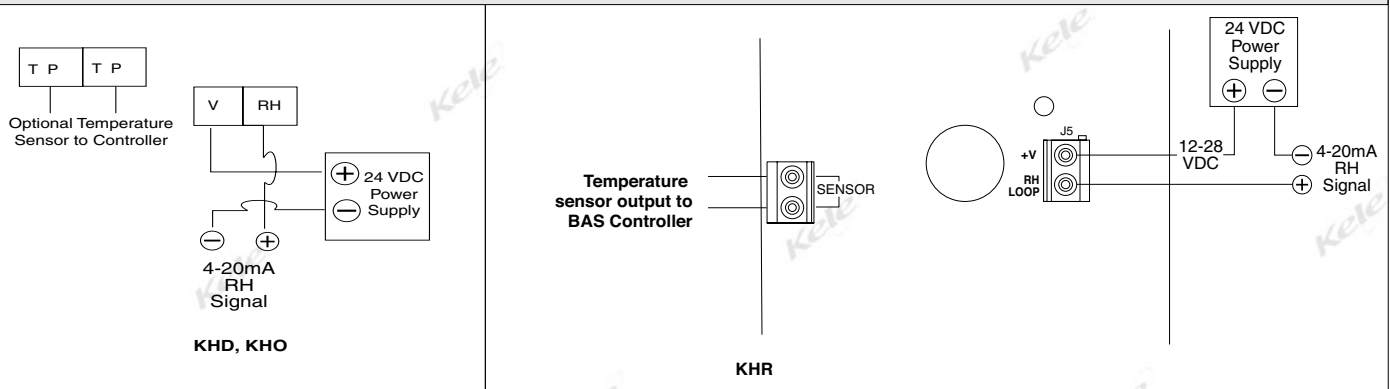
KHD



9

HUMIDITY

### WIRING - KHD, KHO AND KHR



### SPECIFICATIONS

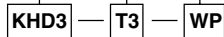
<b>Accuracy</b>	3% RH @ 73°F from 5% to 90% RH; (0%-5% & 90%-100%) add 4%	<b>Probe</b>	
<b>Drift</b>	<±0.5% per year	<b>KHR</b>	1/2" aluminum tube with HDPE FGX filter, 6" (15 cm) long
<b>Thermal Effect</b>	0.07% per °F	<b>KHD</b>	1/2" aluminum tube with HDPE FGX filter
<b>Supply Voltage</b>	9.5-28VDC, loop powered	<b>Wiring Terminations</b>	Screw terminals
<b>Signal Output</b>	4-20 mA @ 725Ω at 24 VDC, Passive temperature output: All Kele standard thermistors and RTDs	<b>Weight</b>	
<b>Maximum Output</b>		<b>KHR</b>	0.2 lb (0.09 Kg)
<b>Impedance mA</b>	725Ω @ 24 VDC (Supply voltage - 9.5 VDC) / 0.02	<b>KHD</b>	1.2 lb (0.54 Kg)
<b>Sensing Technology</b>	capacitive	<b>KHO</b>	0.52 lb (0.24 Kg)
<b>Operating Temperature</b>	-20° to 158°F (-29° to 70°C)	<b>Approvals</b>	RoHS
<b>Operating Humidity</b>	0-100% non-condensing	<b>Warranty</b>	1 year
<b>Enclosure Rating</b>			
<b>KHR</b>	NEMA 1, White plastic, UL94HB		
<b>KHD</b>	NEMA 1, Metal handy box		
<b>KHO</b>	NEMA 3R, plastic box		



## ROOM, DUCT, AND OSA 3% HUMIDITY TRANSMITTERS KH3 SERIES

### ORDERING INFORMATION

MODEL	DESCRIPTION
<b>KHD3</b>	Duct mounted 3% humidity transmitter
<b>KHO3</b>	Outside air 3% humidity transmitter
<b>KHR3</b>	Wall mounted room/space 3% humidity transmitter
<b>Optional temperature ranges</b>	
<b>T3</b>	10,000Ω thermistor @ 77°F (25°C), Type III
<b>T11K</b>	10,000Ω thermistor @ 77°F (25°C), Type III, with 11K shunt
<b>T21</b>	2252Ω thermistor @ 77°F (25°C), Type II
<b>T22</b>	3000Ω thermistor @ 77°F (25°C), Type II
<b>T24</b>	10,000Ω thermistor @ 77°F (25°C), Type II
<b>T27</b>	100,000Ω thermistor @ 77°F (25°C), Type II
<b>T42</b>	20,000Ω thermistor @ 77°F (25°C), Type IV
<b>T81</b>	100Ω RTD @ 32°F (0°C), 385 platinum curve
<b>T85</b>	1000Ω RTD @ 32°F (0°C), 385 platinum curve
<b>T91</b>	1000Ω RTD @ 32°F (0°C), 375 platinum curve
<b>OPTIONS</b>	
<b>CL1</b>	Custom one color logo, KHR3 only
<b>WP</b>	Weatherproof housing, KHD3 only
<b>XJ1</b>	RJ11 externally-accessible communication jack (CCRJ11AD required), KHR3 only
<b>XJ2</b>	Internal RJ11 communication jack, KHR3 only
<b>XLED</b>	LED indicator lamp 24 VAC/VDC green, KHR3 only
<b>XMB</b>	Momentary pushbutton switch, jumpered across sensor or pot (JP1), KHR3 only
<b>XN1</b>	NIST certificate, one reference point 32°F (0°C)
<b>XN2</b>	NIST certificate, two reference points 32°F/158°F (0°C/70°C)
<b>XN3</b>	NIST certificate, three reference points 32°F/77°F/158°F (0°C/25°C/70°C)



**Example:** KHD3-T3-WP Duct mounted 3% humidity transmitter with 10,000Ω thermistor @ 77°F (25°C), Type III and weatherproof housing

### RELATED PRODUCTS

**DCP-1.5-W**  
**DCPA-1.2**

Power supply, 24 VAC IN to 24 VDC OUT  
Power supply, 120 VAC IN to 24 VAC/24 VDC OUT